



Safety Instructions

1, 2, 3, 4, 5, 6, 7, 9, 10, 12, 13, 15, 16, 17, 18, 19, 20, 21, 22, 24, 25, 26, 27, 28, 33



Info Hotline



+49 (0) 5041 998 389

Mon.-Do. 7⁰⁰-20⁰⁰
Fr. 7⁰⁰-17⁰⁰

Paulmann Licht GmbH
Quezinger Feld 2
31832 Springe
Germany

www.paulmann.com

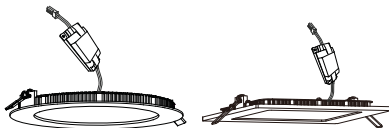
Art.-Nr.:500.26/27/28/29
34/35/36/37



(+MA326) POW 05/16



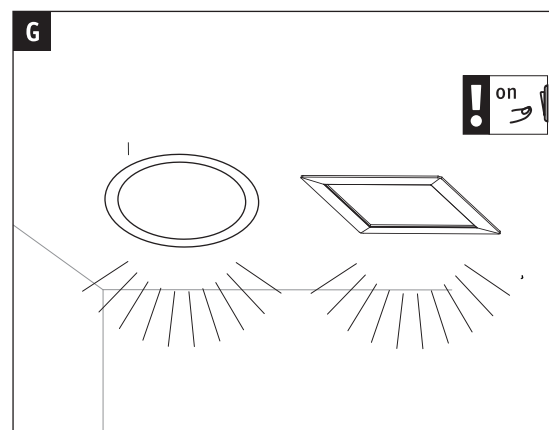
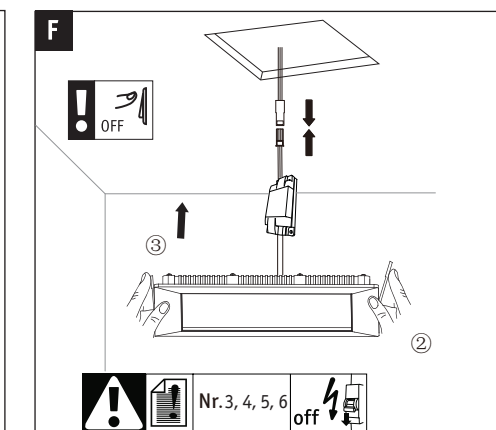
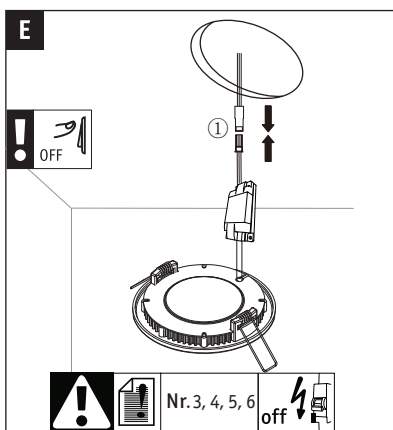
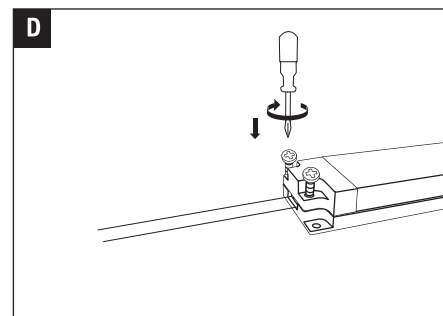
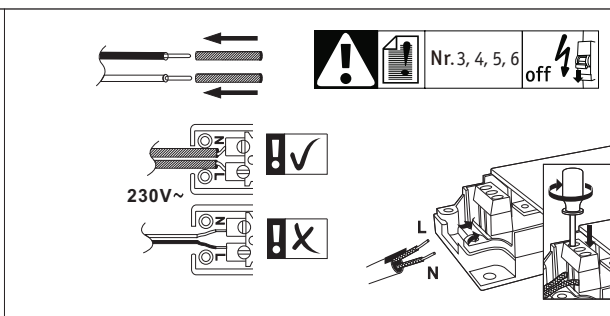
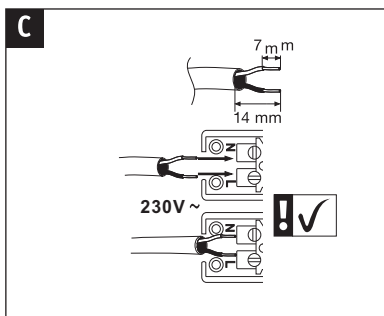
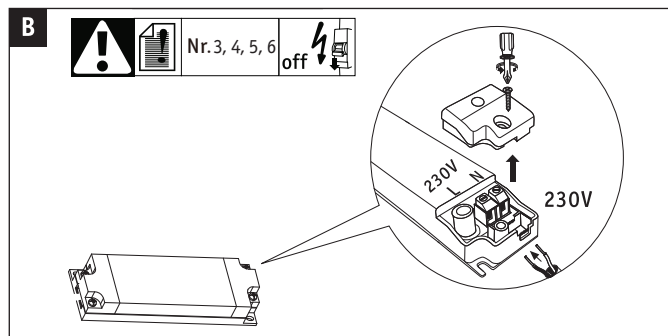
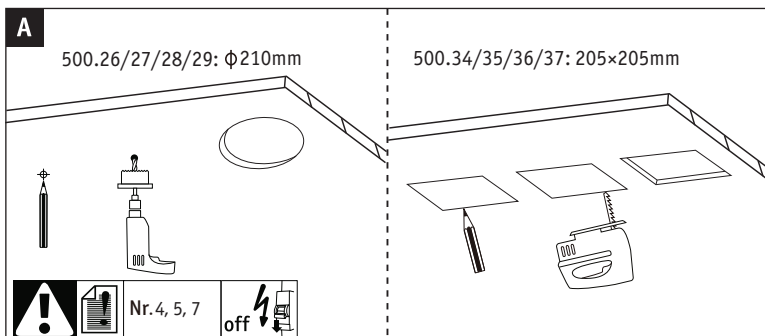
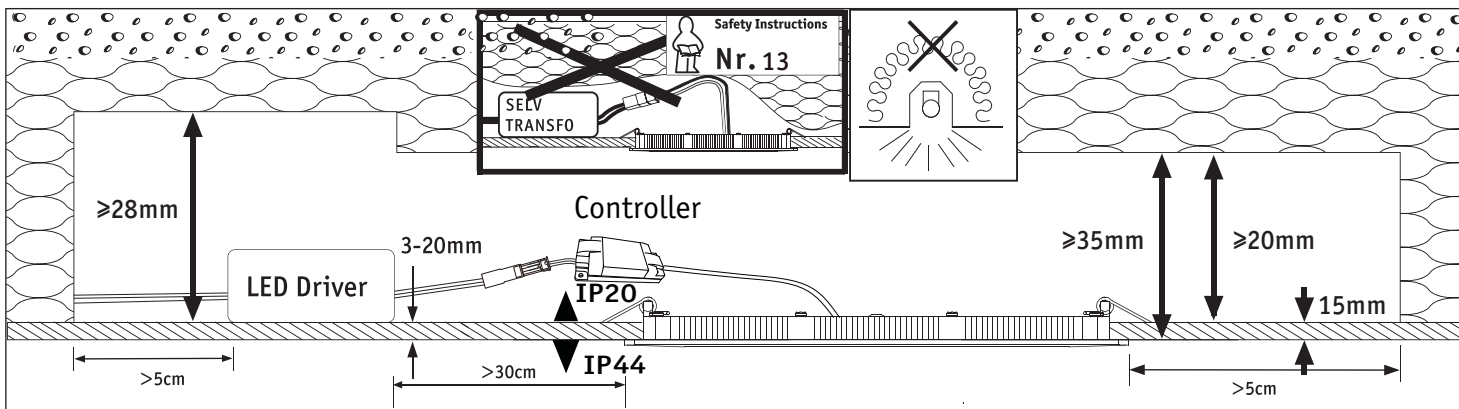
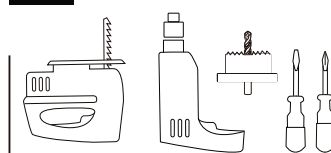
1x



1x



Incl.



H

Bluetooth

Reset
ON
OFF

3X, ON/OFF <1S

IOS APP Android APP Remote Control

Not incl. Remote Control

Paulmann
Art.-Nr.500.01

I

not incl.

i Remote Control
Art.-Nr.:500.01

J

not incl.

FREE App

i Download App for extended functions
<https://de.paulmann.com/smarthome-app>